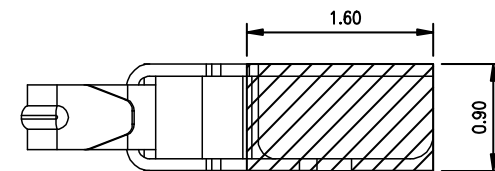
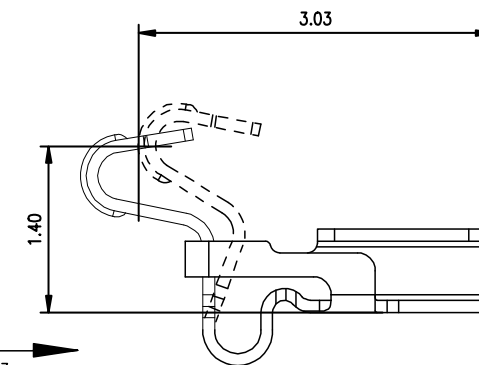
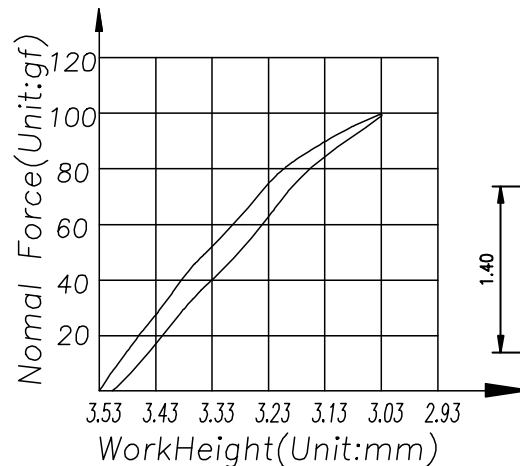
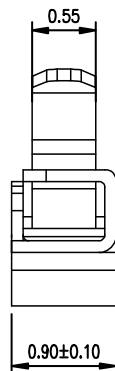
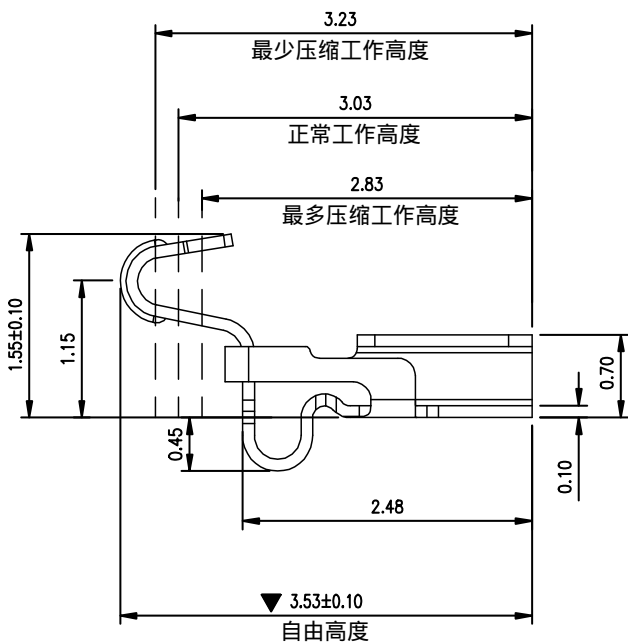
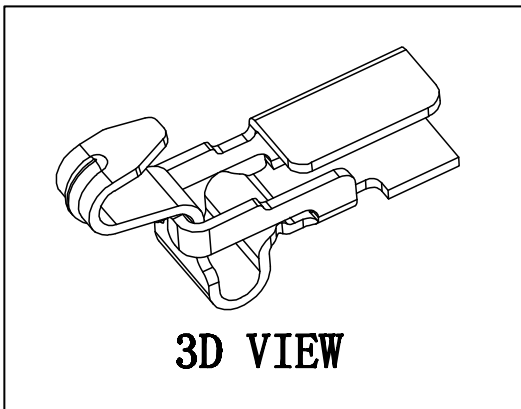
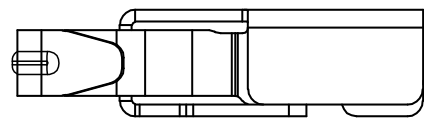


Kinghelm®



焊盘尺寸

尺寸公差 ±0.05

| Rev. | ECN Number | Description | Date | Drawn | Checkd | Approved |
|------|------------|-------------|------|-------|--------|----------|
| | | | | | | |

技术要求:

- 1.材质:不锈钢SUS301,T=0.10±0.005;
- 2.端子锡脚焊接面和接触面不可有毛边,其他部位毛边最大0.03mm;
- 3.扭曲:45°/1000mm,拱形 5mm/1000mm;
- 4.标示有“▼”符号的为重点控制和检验尺寸;
- 5.未标注之R MAX R0.13;
- 6.电镀须满足48小时盐雾测试;
- 7.寿命测试>2万次,产品弹力要求在60gf~80gf之间
- 8.镍底50~80u"min,焊接区域镀金,接触区域镀金1U"MIN

| | | | | | | | | |
|--|-------------------|-----------|------------|---------|------|-------------------------|--|------|
| 深圳市金航标电子有限公司 www.kinghelm.com.cn 型号: KH-35309155-TP 0755-28190160 | GENERAL TOLERANCE | | SCALE: 1:1 | DRAWN | DATE | DWG. NO. | TITLE | REV. |
| | XX. ±0.50 | X. ±0.35 | UNIT: mm | CHECK | DATE | PARTS NO.(INTENDED USE) | | 客户图 |
| | .X ±0.25 | .XX ±0.15 | SIZE: A4 | APPROVE | DATE | | RF Antenna Spring,SMT, L3.53*W0.9*H1.55mm | |
| | X. ±2.0' | .X' ±1.0' | | | | TP-008 | 1/1 | |