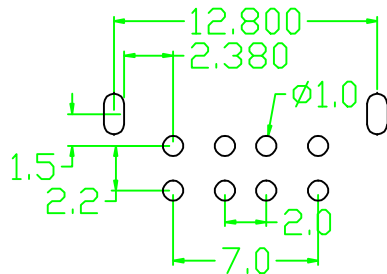
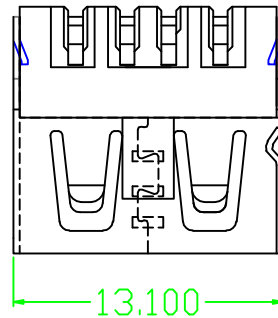
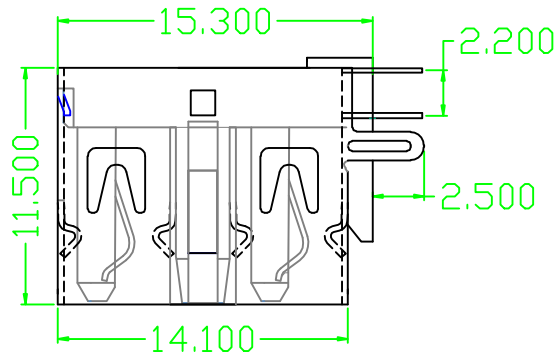
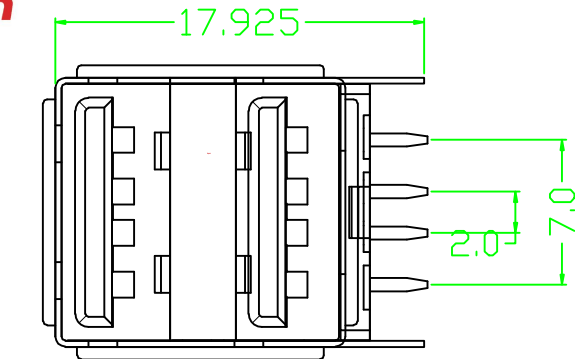


**Kinghelm®**



**1. Material:**

Contacts: Phosphor Bronze  
 Insulator: PBT+30%  
 G. F. UL 94V-0  
 Shell: SPCC

**2. Mechanical:**

Mating: 35N max.  
 Withdrawal Force: 10N min.  
 Durability: 1500 cycles min.

**3. Electrical:**

Current-max (amps) 1.5A  
 Voltage-max (volts) 30V  
 Withstanding Voltage 750V AC  
 Contact Resistance (ohms) 30 milliohms max insulation  
 Resistance (ohms) 1000 Megohms min.

**4. Plating:**

Contacts: Gold And Tin Over Nickel Plated  
 Shell: Nickel over all plating.

**5. Environmental:**

Temperature Range: -55 to 85

**产品图**  
MANUFACTURE DWG

**公差一览表**  
TOLERANCE UNLESS OTHERWISE

深圳市金航标电子有限公司 www.kinghelm.com.cn  
 KH-2AF90ZJ-11.5 0755-83044319

单位 UNIT	MM	INCH
.X	±0.20	.X
.XX	±0.10	.XX
.XXX	±0.05	.XXX

2013. 08. 29

<b>产品名称</b>		USB A/F 双层90度短体11.5	
<b>角法</b> VIEW		<b>制图</b> DRAWING	<b>审核</b> CHKD
<b>比例</b> SCALE	1:1	<b>设计</b> DESIGN	<b>核准</b> APPD
<b>版本</b>	A1	<b>图号</b>	CKC1

张数 1/