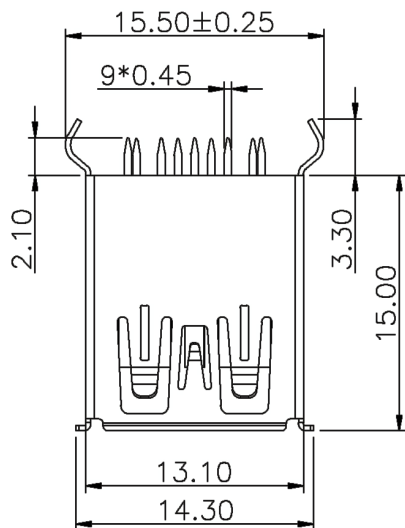


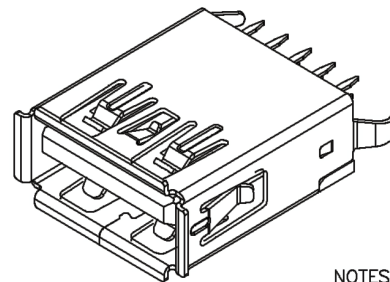
RoHS 2.0

Kinghelm®

REV.	ECN NO.	DESCRIPTION	DATE	DESIGN
A1.	/.	重新核对图面	21.01.14	LJHui



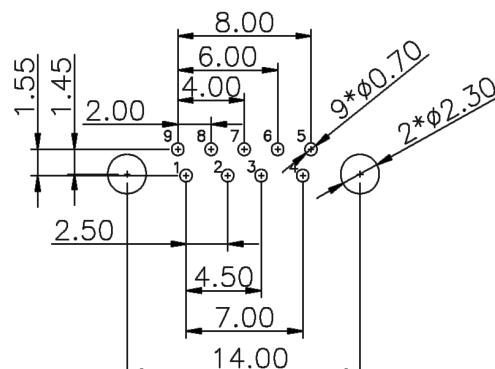
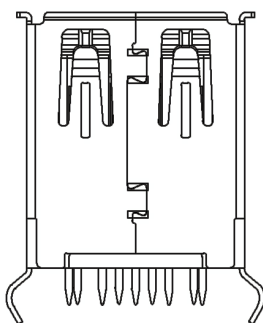
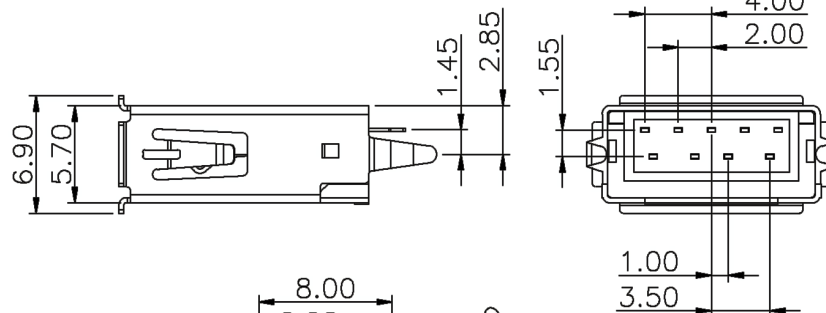
PIN NUMBER	SIGNAL NAME
PIN 1	Vbus
PIN 2	D-
PIN 3	D+
PIN 4	GND
PIN 5	StdA_SSRX-
PIN 6	StdA_SSRX+
PIN 7	GND_DRAIN
PIN 8	StdA_SSTX-
PIN 9	StdA_SSTX+
SHELL	GND



3D VIEW

## NOTES:

- MATERIAL:
  - HOUSING: LCP ,COLOR IS BLUE;
  - CONTACT: BRASS (H65 T=0.20&0.25mm);
  - SHELL: COLD ROLLED IRON (SPCC T=0.30mm);
- ELECTRICAL:
  - VOLTAGE RATING: 30V DC ;
  - CURRENT RATING: 1.5A ;
  - CONTACT RESISTANCE: 30MILLIOHMS MAX.;
  - WITHSTAND VOLTAGE: 100V AC RMS 50(60)Hz,1MIN.;
  - INSULATION RESISTANCE: 100MEG OHMS MIN @500V DC;
- MECHANICAL:
  - MATING FORCE: 35N MAX.;
  - UNMATING FORCE: 5~35N ;
  - OPERATING LIFE: 1500 CYCLES MIN.;
- PLATING:
  - TERMINAL:
    - NI PLATING OVER ALL,
    - Tin PLATING ON SOLDER AREA,
    - Au G/Fu" ON CONTACT AREA;
  - SHELL: NI PLATING OVER ALL;
- ENVIRONMENTAL:
  - STORAGE TEMPERATURE RANGE: -40°C~+85°C;
  - OPERATION TEMPERATURE RANGE: -25°C~+70°C;



RECOMMENDER P.C.B. LAYOUT TOP VIEW  
(COMPONENT SIDE TOLERANCE±0.05)

深圳市金航标电子有限公司 www.kinghelm.com.cn

KH-3.0AF180WJ-15JB

0755-83044319

UNLESS OTHERWISE  
GENERAL TOLERANCE:

L xxx ±0.10  
L xx ±0.20  
L x ±0.30

NAME:  
3.0 A母180° L15.0有边(引脚15.5)

P/N:  
09.03.02.020  
DWG NO:

THIRD ANGLE PROJECTION



DRAWN:

UNIT:	SCALE:	SIZE:	SHEET:	REV.
MM	1:1	A4	1/1	A1

CHECKED:

APPROVED:

ANGULAR:  
L xx' ±1'  
L x' ±3'  
L ±5'

1

2

3

4

5

6

7

8

9

10

11

12

13

14

15