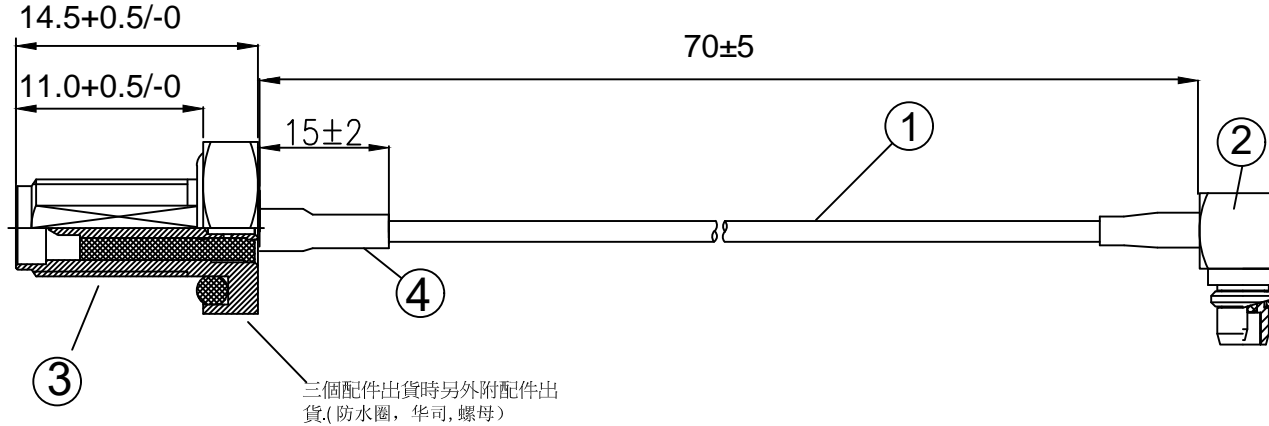


**Kinghelm®**

REVISIONS					
REV	NUMBER	DESCRIPTION	DWN	CHK	DATE
A		DESIGN	James		9/26



NOTES:

1. ELECTRICAL:
  - 1.1. VOLTAGE RATING:DCV 300V 10MS
  - 1.2. CONDUCTANCE RESISTANCE: 3.0 OHM/MAX.
  - 1.3. INSULATION RESISTANCE: 5.0M OHM/MIN.
  - 1.4. THE CABLE SHOULD BE 100% ELECTRICAL TEST
  - 1.5. IT SHOULD BE NO ANY OPEN/SHORT, MISWIRING AND INTERMITTENT FAILURES.
2. MATERIAL:
  - 2.1. SEE TABLE
3. ALL COMPONENTS ARE RoHS COMPLIANT.

ITEM NO.	PART NUMBER	DESCRIPTION	QTY.
④	套管	OD:2.0* 15 mm 套管	2
③	接头	SMA防水母头母针,镀金	1
②	接头	MMCX 公头弯头, 镀金	1
①	同轴线	RG1.37黑色线 OD:1.37MM	AS

深圳市金航标电子有限公司

ALL DIMENSION ARE IN MM	DRAWN James	DATE 2023-7-17	TITLE <b>KH-FSSMAK-MMCXJW-RG1.37-70MM</b>
	CHKD. Frank	2023-7-17	
COMPUTER GENERATED IN SOLIDWORKS DO NOT SCALE THIS DRAWING	APPD. Scott	2023-7-17	
PROJECTION	GENERAL TOLERANCE FOR ANGLES X.X X.XX X.XXX $\pm 1^\circ \pm 0.3 \pm 0.25 \pm 0.150$		SIZE DWG Number. <b>A</b>
CUSTOMER P/N:	SCALE:Free	TYPE	SHEET 1 OF 1