

1 Features

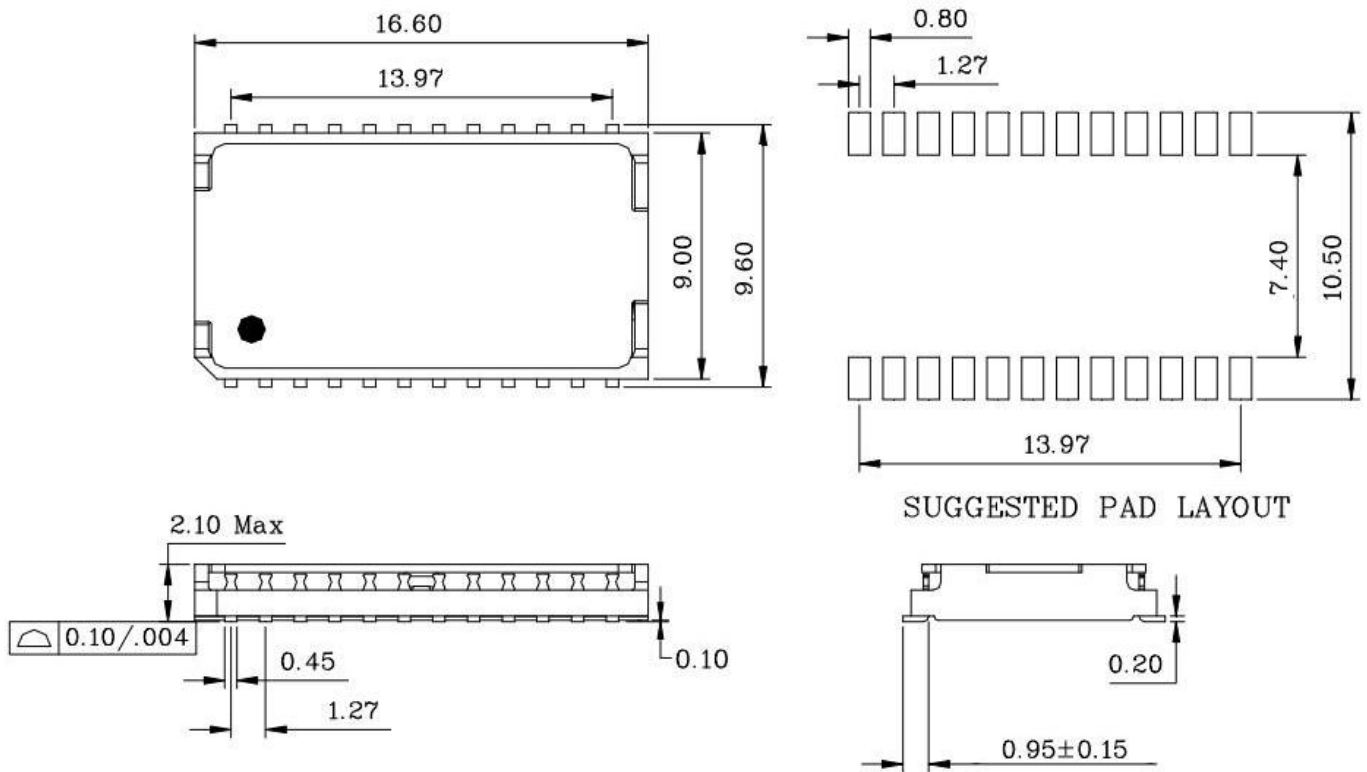
- Meets IEEE 802.3 and ANSIX3.263 standards .RoHS Compliant
- 10/100/1000 Base-T, Surface Mount Type, Open Header
- Cable interface for isolation and low common mode emissions.
- Reflow soldering temperature: peak temperature $\leq 250\text{ }^{\circ}\text{C}$ (10s)
- Reflow soldering frequency: It is recommended not to exceed 3 times
- Storage temperature range: -55°C to $+125^{\circ}\text{C}$
- Operating temperature range: -20°C to $+85^{\circ}\text{C}$



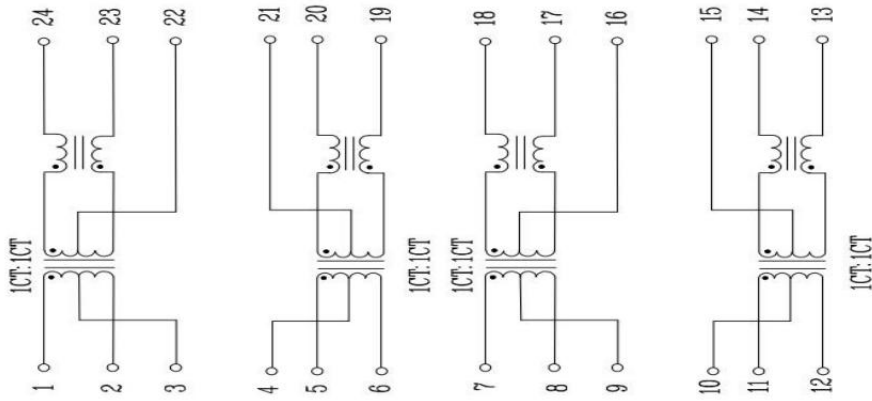
2 Specifications (特性参数)

	350UH	1:1			0.9/1.2		35	1500V
		1-30	40~60	60~100	1-60	60~100	1~100	
H	-1.5	-18	-16	-12	-40	-30	-35	

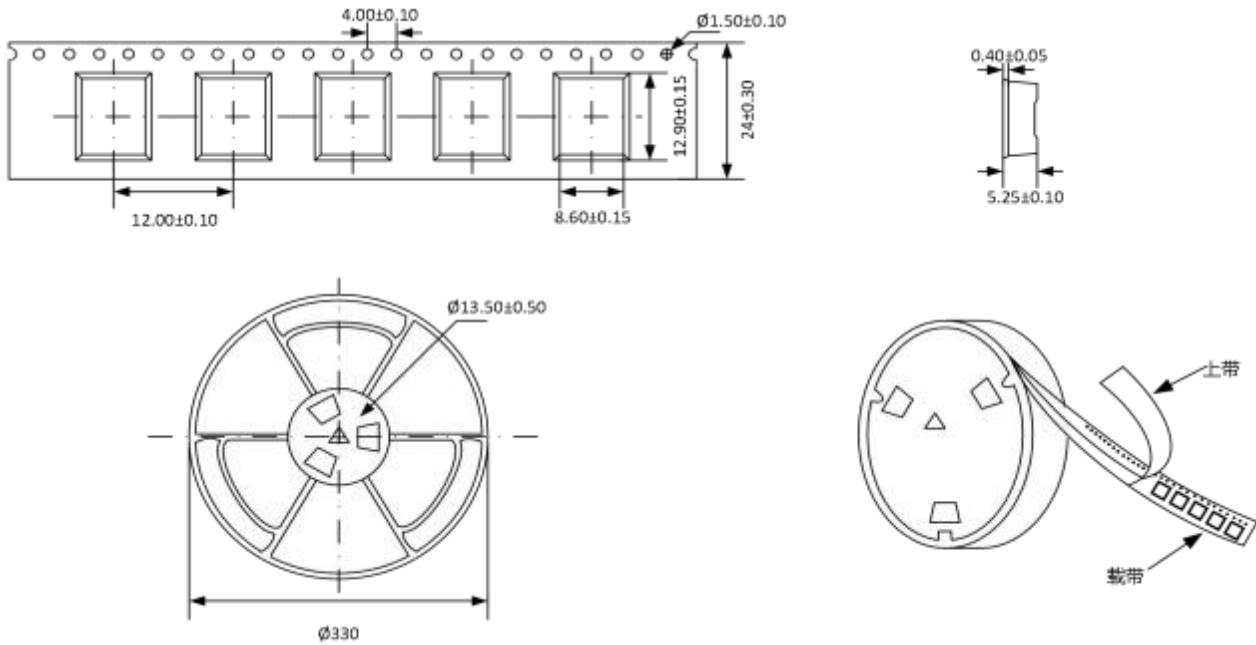
3 Mechanical (外观尺寸图)



4 Schematic (原理图)



5 packing (包装信息)



※unit: mm

※ Packaging quantity : *pcs/roll *pcs/box

※ Outer box size: * L * * W * * H