

### 1 Features

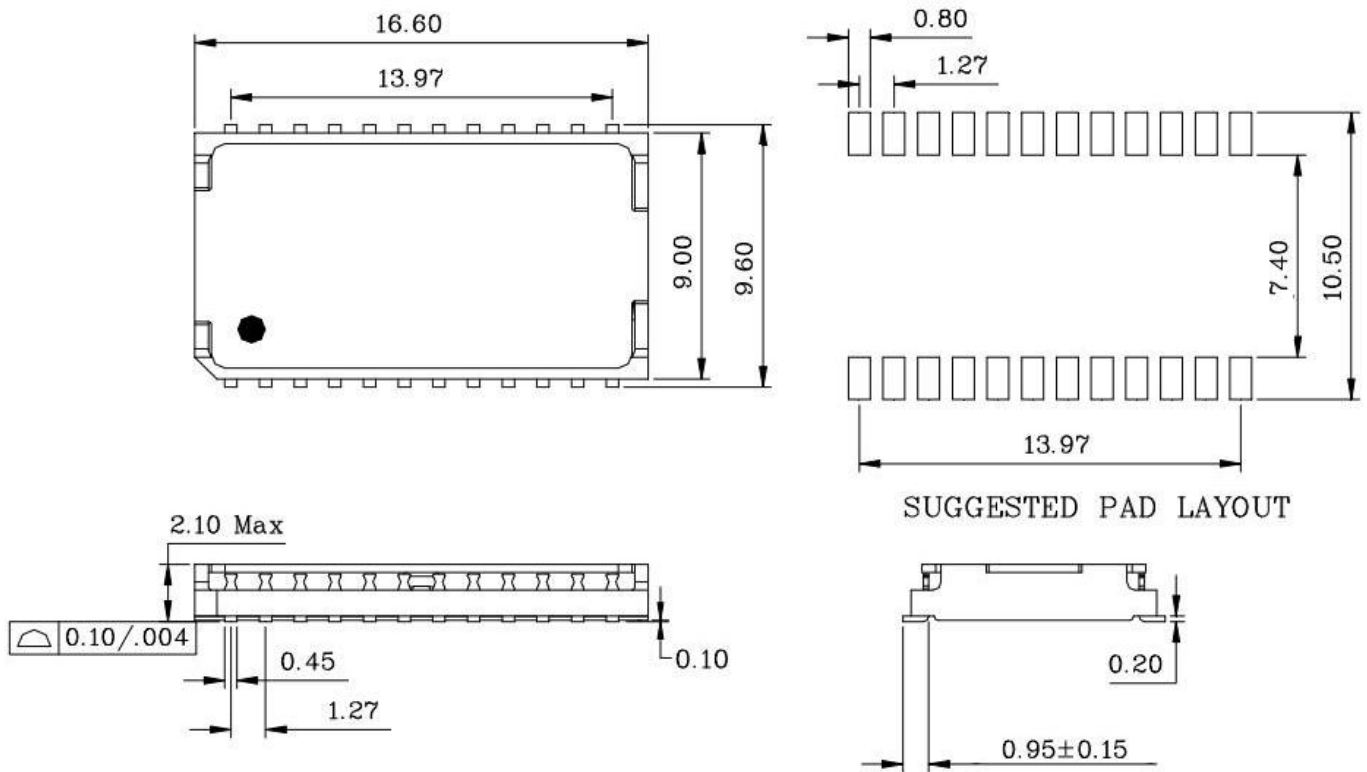
- Meets IEEE 802.3 and ANSIX3.263 standards .RoHS Compliant
- 10/100/1000 Base-T, Surface Mount Type, Open Header
- Cable interface for isolation and low common mode emissions.
- Reflow soldering temperature: peak temperature  $\leq 250\text{ }^{\circ}\text{C}$  (10s)
- Reflow soldering frequency: It is recommended not to exceed 3 times
- Storage temperature range:  $-40\text{ }^{\circ}\text{C}$  to  $+85\text{ }^{\circ}\text{C}$
- Operating temperature range:  $0\text{ }^{\circ}\text{C}$  to  $+70\text{ }^{\circ}\text{C}$



### 2 Specifications (特性参数)

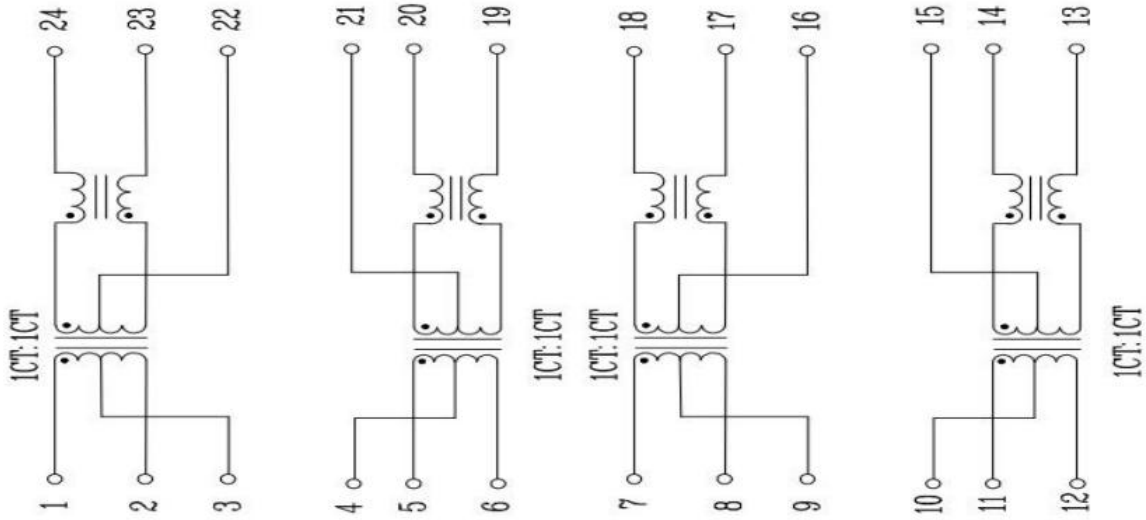
	350UH	1:1		0.9/1.2	35		1500V
		1-30	40~60	60~100	1-60	60~100	1~100
S	-1.5	-18	-16	-12	-40	-30	-35

### 3 Mechanical (外观尺寸图)



※unit: mm

**4 Schematic (原理图)**



**5 packing (包装信息)**

※unit: mm

※ Packaging quantity : 1100pcs/roll 6600pcs/box

※ Outer box size: \* L \* \* W \* \* H